

"SILVERADO" SADDLEBAG MOUNT KIT
INSTALLATION INSTRUCTIONS
STR-5KS73-40-10
"V-STAR 1100 CLASSIC"



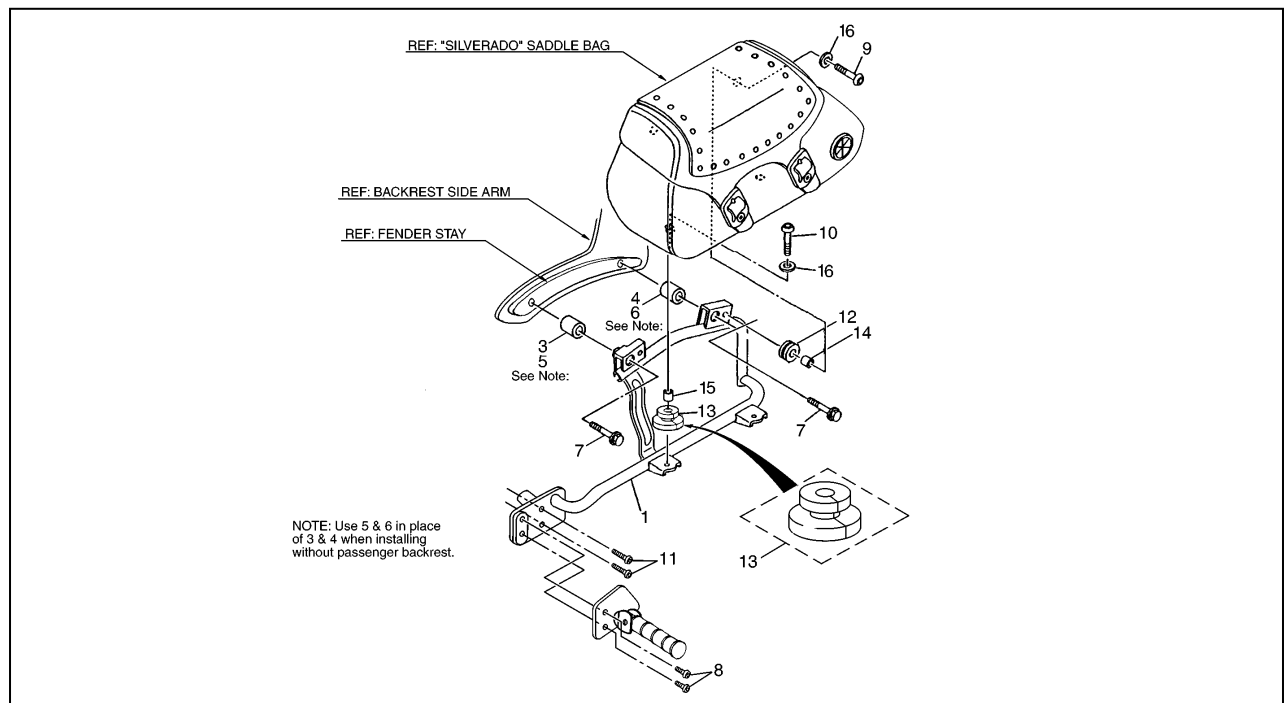
INTRODUCTION

Please read and understand these instructions completely before installation to avoid any possible injury to yourself or damage to your motorcycle and/or accessory.

DEALER: These instructions contain important information for future reference and must be given to the customer.

PARTS LIST

Item	Part Name	Description	Qty
①	Saddlebag Frame, Left		1
②	Saddlebag Frame, Right		1
③	Spacer, 1	14.3mm OD x 8.4mm ID x 12mm Lg	2
④	Spacer, 2	14.3mm OD x 8.4mm ID x 14mm Lg	2
⑤	Spacer, 3	14.3mm OD x 8.4mm ID x 22.6mm Lg	2
⑥	Spacer, 4	14.3mm OD x 8.4mm ID x 24.6mm Lg	2
⑦	Bolt, Flange Head	M8-1.25P x 55mm Lg	4
⑧	Bolt, Flange Head	M8-1.25P x 16mm Lg	4
⑨	Bolt, Hex Soc Button Hd	M6 x 1.0P x 25mm Lg	4
⑩	Bolt, Hex Soc Button Hd	M6 x 1.0P x 30mm Lg	4
⑪	Bolt, Hex Soc Button Hd	M8 x 1.25P x 40mm Lg	4
⑫	Grommet	28mm OD x 11.8mm ID x 13.4mm Thk	4
⑬	Grommet	30/33mm OD x 13.8mm ID x 19mm Thk	4
⑭	Collar, 1	11.8mm OD x 6.9mm ID x 13mm Lg	4
⑮	Collar, 2	13.8mm OD x 6.9mm ID x 18mm Lg	4
⑯	Washer, Lg OD Flat	M6; 27.8mm OD x 6.7mm ID x 1.6mm Thk	8



PREPARATION

1. Place the motorcycle securely on its side stand.
2. Install Passenger Backrest Kit.
3. Remove the Left and Right Passenger Footrests and set them aside, they will be reinstalled later.
4. Remove the Helmet Lock and store it. It will not be reused.

INSTALLATION

Refer to the “exploded illustration.”

NOTE: If installing **without** passenger Back Rest Kit, use Items ⑤ & ⑥ in place of Items ③ & ④.

1. Remove the screws holding the Fender Stay & Backrest Side Arm on the left side. The Fender Stay & Side Arm will be reused.
2. Install the Left Saddlebag Frame ①, using M8 Flange Head Bolts ⑦, and Spacers ③ & ④, with Item ③ in the front and Item ⑪ in the rear mounting holes of the Fender Stay.
3. Using M8 Hex Soc Button Hd Bolts 11, attach the Saddlebag Frame lower Front Bracket to the Passenger Footrest Mount.
4. Tighten the upper Saddlebag Frame Mount M8 Flange Head Bolts to **3.0 m/kg (22 ft/lbs)**.
5. Tighten the lower Saddlebag Frame M8 Button Head Bolts to **2.3 m/kg (17 ft/lbs)**
6. Reinstall the left Passenger Footrest to the Saddlebag Frame lower Front Bracket with M8 Flange Head Bolts ⑧, and tighten to **2.3 m/kg (17 ft/lbs)**.

7. Repeat Installation Steps 1~6 for the Saddlebag Frame, Right ②.
8. Mount the Left & Right Saddlebags to the Saddlebag Frames as shown with Grommets ⑫, Collars ⑭ Washers ⑯, & M6 x 25mm Lg Button Head Bolts ⑨, in the Saddlebag Back and Grommets ⑬, Collars ⑮, Washers ⑯, & M6 x 30mm Lg Button Head Bolts ⑩ in the Saddlebag Bottom.
9. Tighten the M6 Button Head Bolts to **0.7 m/kg (5 ft/lbs)**.

MAINTENANCE

Periodically check mounting hardware for tightness. Re-torque if necessary.

CARE AND CLEANING

Refer to your **Owner's Manual**.

CUSTOMER SERVICE

For more information regarding installation, please contact your Yamaha dealer.