

Mount Kit Q103 for mounting SwitchBlade Windshields to Honda® GL1500C and VTX1800 R/S/C

Dealers: If installing the mount kit for a customer please give them this manual. It contains information needed to properly maintain and use this product.

The mount kit will allow you to mount any of the four styles of SwitchBlade windshields to the motorcycle this kit is installed on. Contact your dealer or National Cycle for complete information for all three SwitchBlade Windshields: 2-Up™, Chopped, Shorty™, and Deflector™ *All Patents Pending*

Attention



Special notes and cautionary measures which can prevent damage to the accessory or motorcycle.

Note:



Tips for facilitation of operation, control and adjustment, as well as maintenance work.

Parts List

<u>INDEX</u>	<u>DESCRIPTION</u>	<u>QTY.</u>
1	37-379103-000 Mounting Cup, Chrome	2
BAG 522		
2	34-340501-000 Nut, Upper, QS4, Polished	2
3	34-340502-000 Nut, Lower, QS4, Polished	2
4	34-340510-000 Spool, Upper, QS4, Assembled	2
5	34-340512-000 Spool, Lower, QS4, Plain	2
6	49-490414-000 Washer, Brass	2
BAG 524		
7	37-370171-000 Clamp Strap, 55mm, QS4	4
8	37-370161-TL0 Spider, QS4 w/ Thread Locker	2
9	75-766017-000 Burr Barrier	4

Preparation



Proper tightening of this assembly is critical. Use a Torque Wrench!

Follow this procedure! Correct assembly of this kit will provide years of reliable service.

Position the motorcycle securely on its stand or a work stand. Cover the front fender and fuel tank with a suitable cloth to avoid scratches from dropped tools.



Installation procedure for GL1500C starts below. Installation procedure for VTX1800 starts on page 4.

INSTALLATION GL1500C Valkyrie

1. Loosen the turn signal clamps, remove the inside screw. **(M5 Hex Key)**
2. Slide the clamps down the fork.
3. Install the inside screw as soon as its hole is cleared of the wire stay.
4. Retighten the clamp screws. **(M5 Hex Key)**
5. Verify turn signal alignment.

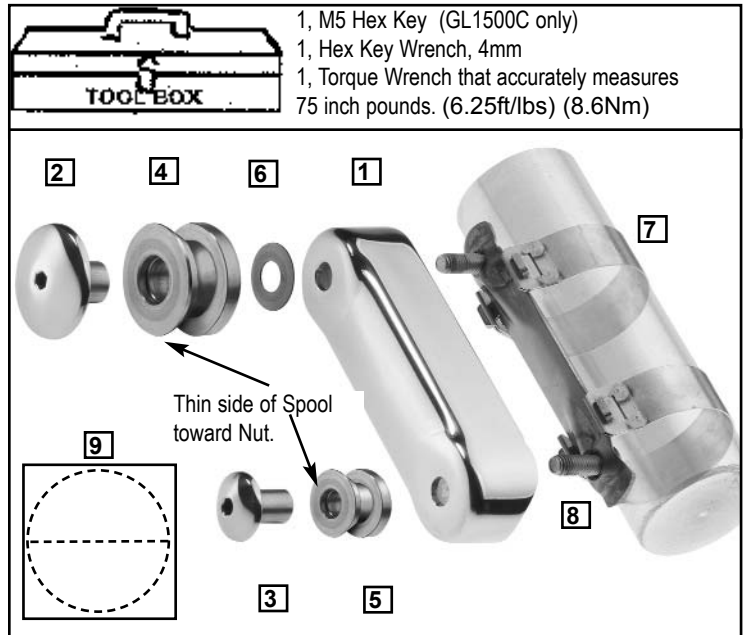


Figure 1.

GL1500C Continued

INSTALL THE BURR BARRIER

1. Position the arch of the upper Burr Barrier so it just touches the bottom of the upper triple clamp. **Figure 2.**
2. Position the arch of the lower Burr Barrier, pointing down the fork, 4 ½ inches.
3. Repeat on other fork

ASSEMBLE THE QUICKSET 4 MOUNTS

1. Place two Clamp Straps (7) on a fork tube.
2. Hook the Spider (8) to the lower Clamp Strap. **Figure 3.**
3. Hook the Spider to the upper Clamp Strap.
4. Position the Mounting Cup onto the Spider Bracket so the studs protrude from the holes in the Mounting Cup. **Figure 1.**
5. Place a Brass Washer (6) onto the upper stud. **Figure 1.**
6. Push the large Upper Nut (2) into the large Upper Spool (4) so **the thin side** of the Spool is near the head of the Upper Nut. **Figure 1.**
7. Start the Upper Nut/Spool onto the upper stud. **Figure 1. (4mm Hex Key)**
8. Assemble the Lower Spool (5) and Lower Nut (3) so **the thin side** of the Spool is near the head of the Lower Nut.
9. Start the Lower Nut/Spool onto the lower stud.
10. Tighten both Nuts until they are just snug.
11. Repeat step 1 through 10 on the other fork.

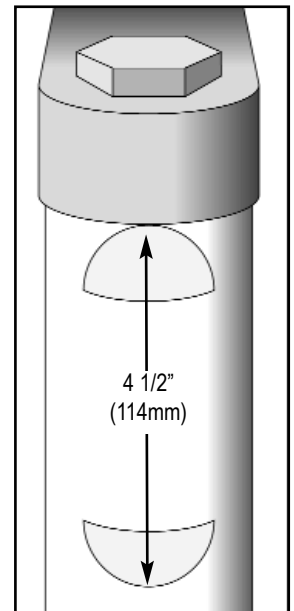


Figure 2.

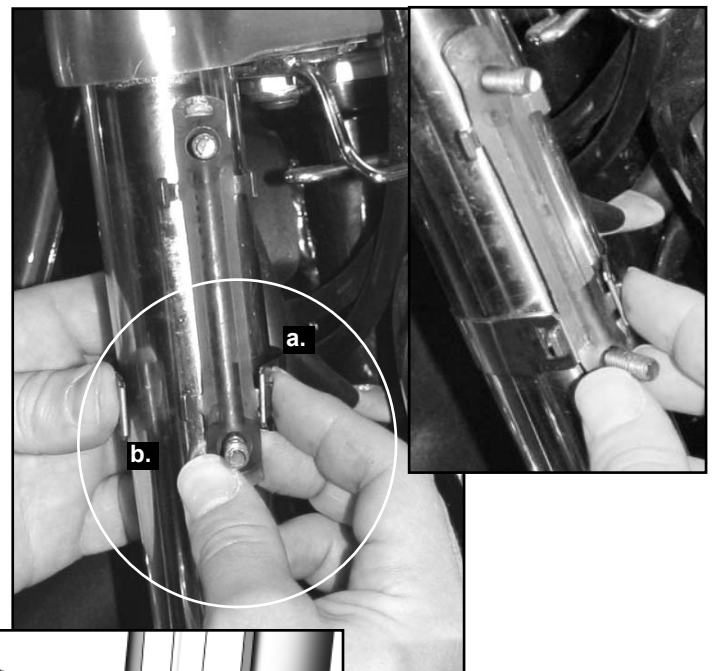


Figure 3.

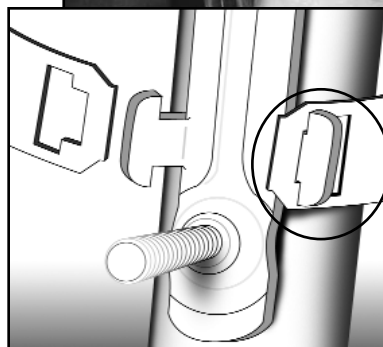



Figure3 Notes:

Engage the inside of the strap to the spider. Be sure spider hook is fully and correctly seated into the slot.


- a. The technique requires you to keep the hook of the spider **correctly** engaged in the slot. To do this, apply pressure on the inside engaged strap with your index finger while lifting the spider slightly with your middle finger.
- b. Engage strap to hook of spider on outside. Push and stretch with your thumbs, don't let the inside hook/slot become loose.

ALIGN THE MOUNTS


12. Adjust the top edge of the Mounting Cup to be 1/16 inch (1.5mm) from the upper triple clamp. **Figure 4.**
13. Adjust both Mounting Cups front to rear so they are in line across the forks.

 **Misalignment can cause damage to fuel tank and will cause the system to not work properly. Check alignment carefully. Turn the fork carefully to the stops. Make sure the gap between the Spools and the fuel tank are the same on both sides.**

14. Tighten the Nuts to 75 INCH POUNDS (8.6Nm) (6.25ft/lbs) **(Torque Wrench and 4 mm Hex Wrench.) Figure 5.**

 This assembly will not "feel" like tightening a normal nut and bolt. Tightening from 25in/lbs to 75in/lbs will take more than one turn.

15. Refer to the instructions packaged with the SwitchBlade windsheild. Install the shield. Make sure all components line up.
16. Cycle the shield through the mount and dismount 5 times.

 17. Retighten the Nuts to 75 in/lbs. **(Torque Wrench and 4 mm Hex Wrench.) Figure 5.**

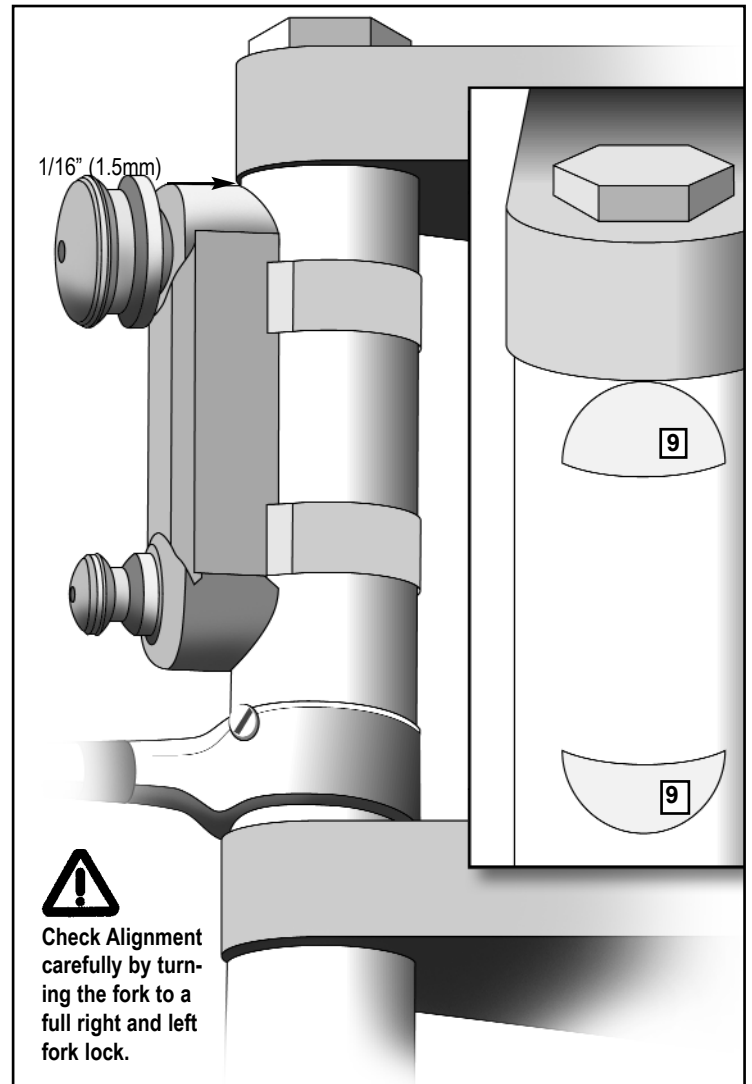


Figure 4.



Figure 5.

INSTALLATION for VTX1800

INSTALL THE BURR BARRIER

1. Position the arch of the upper Burr Barrier 5/8 inch (16mm) below the bottom of the upper triple clamp. **Figure 6.**
2. Position the arch of the lower Burr Barrier, pointing down the fork, 4 1/2 inches. **Figure 5.**
3. Repeat on other fork

ASSEMBLE THE QUICKSET 4 MOUNTS, Figure 3, page 2.

1. Place two Clamp Straps (7) on a fork tube.
2. Hook the Spider (8) to the lower Clamp Strap.
3. Hook the Spider to the upper Clamp Strap.

ASSEMBLE MOUNTING CUP, SPOOL AND NUT, Figure 1, page 1.

4. Position the Mounting Cup onto the Spider Bracket so the studs protrude from the holes in the Mounting Cup.
5. Place a Brass Washer (6) onto the upper stud. **Figure 1, page 1.**
6. Push the large Upper Nut (2) into the large Upper Spool (4) so the thin side of the Spool is near the head of the Upper Nut. Thick side of Spool against the Mounting Cup.
7. Start the Upper Nut/Spool onto the upper stud.
8. Assemble the Lower Spool (5) and Lower Nut (3) so the thin side of the Spool is near the head of the Lower Nut. **Figure 1, page 1.**
9. Start the Lower Nut/Spool onto the lower stud.
10. Tighten both Nuts until they stay loosely in place.
11. Repeat step 1 through 10 on the other fork.

ALIGN THE QUICKSET 4 MOUNTS

12. Adjust the top edge of the Mounting Cup to be 3/4 inch (19mm) from the upper triple clamp. **Figure 7.**
13. Adjust both Mounting Cups front to rear so they are in line across the forks.



Check alignment carefully. Turn the fork carefully to the stops. Make sure the gap between the Spools and fuel tank are the same on both sides.



Misalignment will cause the system to not work properly.

14. Tighten the Nuts to 75 INCH POUNDS (8.6Nm) (6.25ft/lbs) **Figure 8.**



This assembly will not "feel" like tightening a normal nut and bolt. Tightening from 25in/lbs to 75in/lbs will take more than one full turn.

15. Install the shield. Make sure all components line up.
16. Refer to the instructions packaged with the SwitchBlade windsheild. Cycle the shield through the mount and dismount 5 times.
17. Retighten the Nuts to 75 in/lbs. (8.6Nm) (6.25ft/lbs)

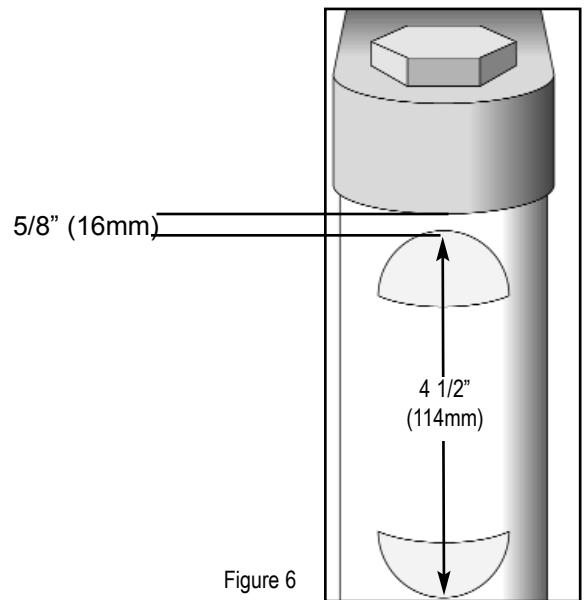


Figure 6

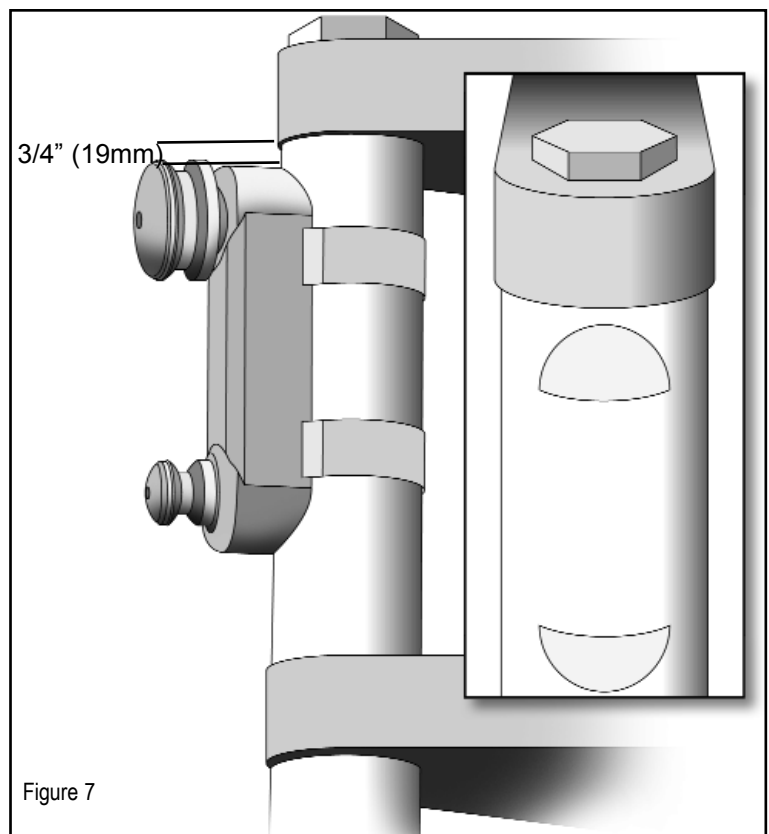


Figure 7

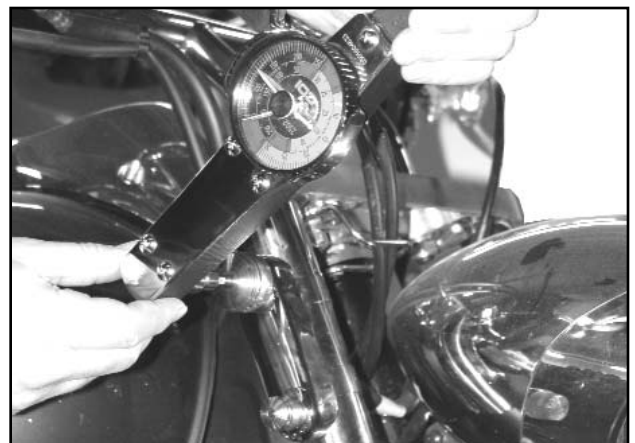


Figure 8.