

INSTALLATION OF MOUNTING BRACKETS

KIT-SB402

1. Remove Seat Assembly (Screwdriver.)
2. Disconnect Turn signal Wires, refer to Service Manual.
3. Push the Turn signal wires into the fender and unhook from retaining clips inside fender.
4. Remove mounting bolts for fender strut covers (Hex Key, 7/32") and Turn signals (Wrench, 1/2".)
5. Remove Turn signal, pulling the wires out through the fender struts.
6. Remove Turn signal mounting bolt from the fender.
7. Assemble Turn signal to Relocation Bracket using 5/16-24 x 2 3/4" Hex Screws (1) (Wrench, 1/2".)
8. Assemble Relocation Bracket to Fender Strut, using Saddle Bag Mounting Bracket (5) and supplied screws 3/8-16 x 2 (2) (Hex Key, 5/16") and 3/8-16 nuts (3) (Wrench, 9/16".)

For FXDWG, reuse the original, rear fender strut bolt and nut.

9. Tighten Mounting Bracket Screws to 30 ft.lbs. (4.5m-kg) torque.

10. Route Turn signal Wires, same routing as original, and reconnect. Be sure to use the retaining clips under the fender.

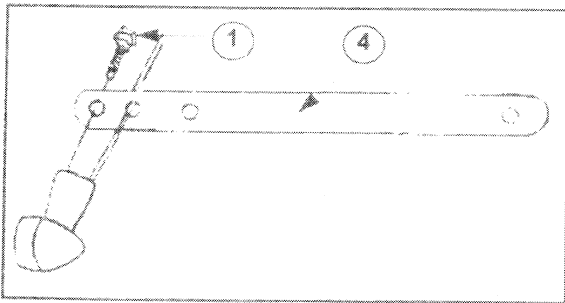
11. Repeat on other side of motorcycle
12. Check Turn signals for proper operation.

Tools Needed

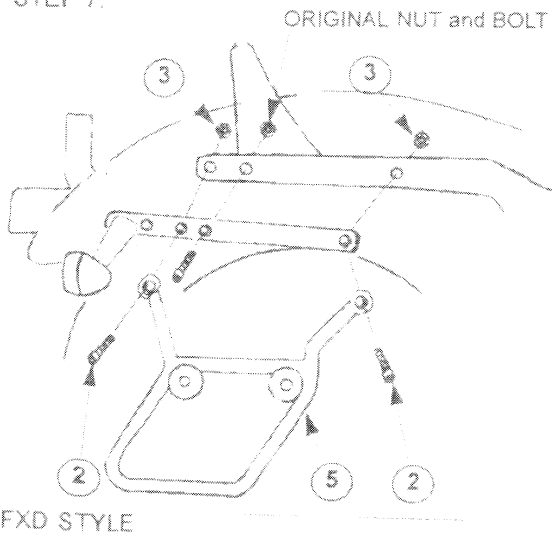
Wrench, 1/2"
 Hex Key, 7/32"
 Wrench, 9/16"
 Hex Key, 5/16"
 Motorcycle's service manual
 Screwdriver, #2 Phillips

Parts List

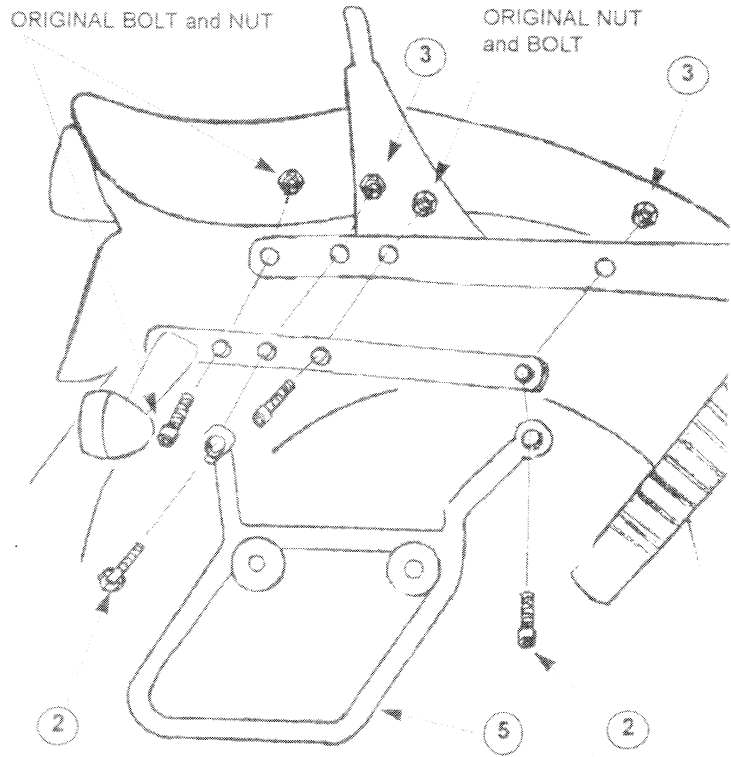
Index	Description	Qty.
1	Screws, Hex, 5/16-24 x 2 3/4"	2
2	Screws, Hex Socket, 3/8-16 x 2	4
3	Nuts, 3/8-16	4
4	Brackets, T-S Relocation	2
5	Mount, Saddle Bag, Right	1
6	Mount, Saddle Bag, Left	1



STEP 7.



FXD STYLE



FXDWG STYLE FENDER