

Thank you for purchasing a ZTechnik product. Read these instructions carefully and thoroughly before beginning work. Dealers, if installing this windscreen for a customer, please give them this manual upon completion. It contains information needed to properly maintain and use this product.

Description:	VStream® Replacement Windscreen	Model:	2021-Later BMW® R1250RT
Part Number:	Z2348/Z2349	Installation Time:	15 min. Difficulty Level: Easy

**PACKAGE CONTENTS**

ITEM	DESCRIPTION	QTY.
A	VStream Windscreen	1

**TOOLS REQUIRED**

T-25 Torx Wrench

**ALL OEM FASTENERS AND GROMMETS WILL BE REUSED.**



**ATTENTION:** Special notes and cautionary measures which can prevent damage to the accessory or vehicle.



**NOTE:** Tips for facilitation of operation, control and adjustment, as well as maintenance work.

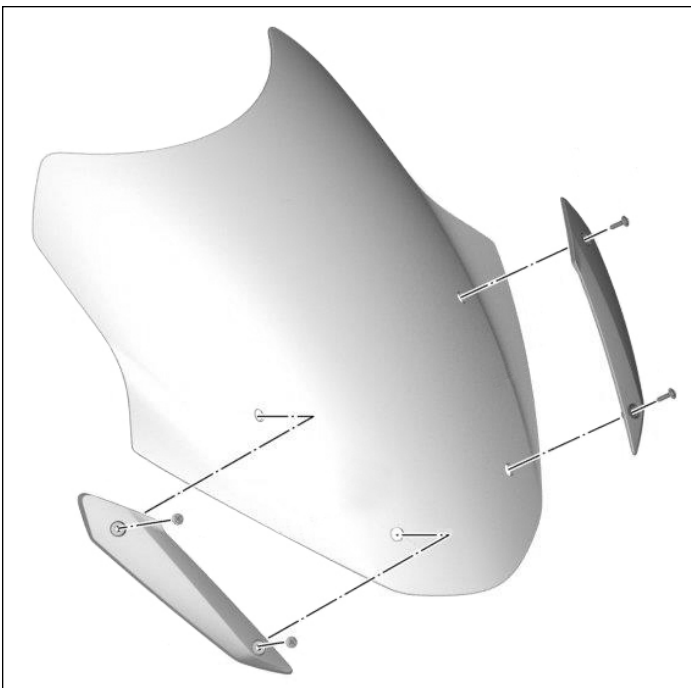


Figure 1

**PREPARATION**

Place motorcycle securely on its centerstand.



**All OEM fasteners and grommets will be reused.**

**OEM WINDSCREEN REMOVAL**

**Figure 1**

With a T-25 Torx Wrench, loosen and remove the four M5X20 Body Screws and two Trim Panels holding the OEM Windscreen to the fairing's Windscreen Reinforcement Bracket.

Remove the OEM Windscreen.

Remove the four OEM Rubber Grommets from the OEM Windscreen and install them in your new VStream Windscreen (A).

## VSTREAM WINDSCREEN INSTALLATION

### Figure 2

Place your new VStream Windscreen (A) into position and align the mount holes with the Windscreen Reinforcement Bracket.

Start with one Trim Panel on the Windscreen and thread in two M5X20 Body Screws until they begin to seat.

Add the second Trim Panel with the remaining two M5X20 Body Screws.

With a T-25 Torx Wrench, tighten the four screws securely, but do not over-torque them.

***Ride safe and enjoy your new VStream Windscreen!***

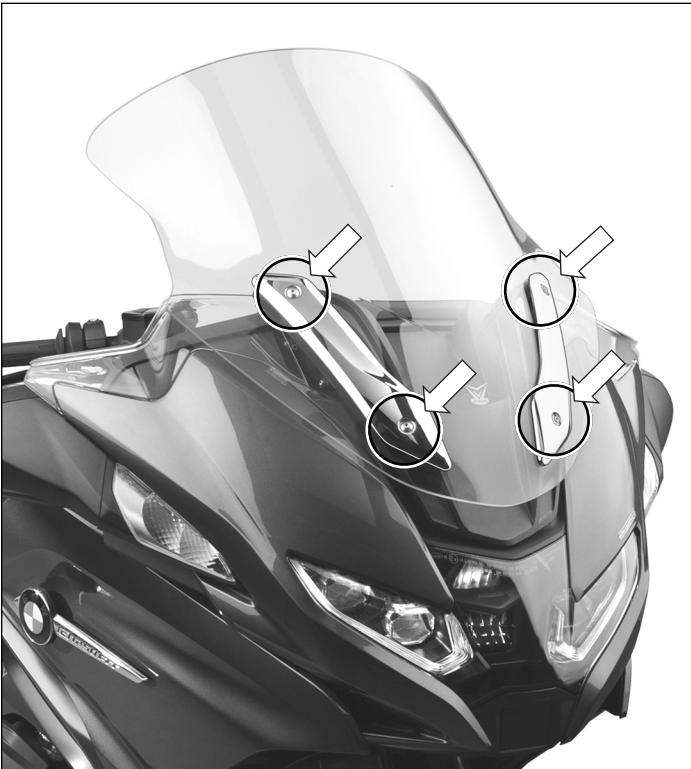


Figure 2

## CLEANING AND MAINTENANCE

To clean the screen, wash with a clean soft cloth and plenty of warm water and, if necessary, a non-abrasive soap such as dishwashing liquid. Flannel or soft chamois make good cleaning cloths. Paint, glue residue or grease removal: Moisten cotton wad with naphtha or turpentine followed by a wash as above.

National Cycle **Shield Wash™** (N1401-01) makes a good daily cleaner and comes with a handy travel-size bottle. Shield Wash is safe for all windshields and helmet visors

Do not clean polycarbonate in hot sun or high temperatures. Do not clean the screen with household glass cleaners. Do not allow brake fluid, alcohol, or strong solvents to contact the screen.

## RAIN REPELLENT

Do not use rain protective products made for glass. We recommend National Cycle's **RainZip®** (N1410-01) to keep your windscreen clear in rainy weather.



Register Your Windshield Online at [www.nationalcycle.com](http://www.nationalcycle.com)

### ZTechnik by National Cycle 3-Year Limited Warranty

National Cycle hereby warrants to the original registered owner of a National Cycle polycarbonate windshield for a period of three years from the date of purchase against breakage. This limited warranty is expressly limited to the replacement of the polycarbonate windshield. This limited warranty does not include scratches, coating failure, cosmetic wear and tear, replacement of hardware, or any consequential damages or expenses including labor cost of installation, removal and/or replacement, inconvenience, inbound freight expenses or damage to any other component of the motorcycle or any other accessories. Certain chemicals, generally known as acidic hydrocarbons, are known to cause polycarbonate damage and will not be covered under this limited warranty. Please refer to the cleaning instructions supplied with all National Cycle windshields.

Visit [www.nationalcycle.com](http://www.nationalcycle.com) for further details, or call or e-mail National Cycle.

## ⚠ WARNING

Never ride your motorcycle with loose accessory mounting hardware. Check the hardware for tightness regularly.

Today's motorcycles are built to withstand the moderate loads imposed on them by the foreseeable addition of an accessory(ies). If an accessory(ies) adversely affects your motorcycle's stability, immediately remove the accessory(ies). Do not ride a motorcycle that exhibits unsafe handling traits.

Have experienced service personnel correct any problem before riding with the accessory(ies) installed. For further questions concerning handling problems associated with an accessory(ies), contact your dealer, motorcycle manufacturer, or accessory manufacturer.

**Sunlight reflected off the inside curvature of the windscreen can, at certain times of day, cause extreme heat buildup on the motorcycles instruments and possibly even melt them. Exercise care in parking to avoid this. Park your motorcycle facing the sun or place an opaque object over this area.**