



**Installation and Owner's Manual
N2700, N2701, N2702 and N2703 Gladiator
Windshield, Standard Mount
for Harley-Davidson Motorcycles**

Thank you for purchasing a National Cycle® product. Please read these instructions carefully and thoroughly before beginning work. Dealers if installing this windshield for a customer please give them this manual. It contains information needed to properly maintain and use this product.

Attention



Special notes and cautionary measures which can prevent damage to the accessory or motorcycle.

Note



Tips for facilitation of operation, control and adjustment, as well as maintenance.

Parts List				Notes
Item	Part Number	Description	Qty.	
1	N2700	Chrome, Light Tint	1	One Gladiator Windshield Assembly
1	N2701	Chrome, Dark Tint	1	
1	N2702	Black, Light Tint	1	
1	N2703	Black, Dark Tint	1	
	Bag #1012			
2	49-495673-000	Bushing .24 L	2	
3	49-495674-000	Bushing .20 L	2	

TOOLS REQUIRED

- 1/4" Allen Key
- 7/16" Box Wrench

PREPARATION

1. Position the motorcycle securely on its stand.



Cover the front fender and fuel tank with a cloth to avoid scratches.

Go to INSTALLATION, PAGE 2

MAINTENANCE: Wash with a clean soft cloth, plenty of warm water and, if necessary, a non-abrasive soap such as dishwashing liquid. Flannel or soft chamois make good cleaning cloths. Do not allow brake fluid, alcohol, or strong solvents to contact the screen.

National Cycle Windshield Wash Part number N1401 is a good everyday cleaner. Product is supplied with a handy travel size container and microfiber cloth for easy storage on the motorcycle. Inquire with your local dealer or visit: www.nationalcycle.com

⚠ WARNING

Never ride your motorcycle with loose accessory mounting hardware. Check the hardware for tightness regularly.

Today's motorcycles are built with enough frame rigidity to withstand the moderate loads imposed on them by the foreseeable addition of an accessory(ies). If an accessory(ies) adversely affects your motorcycle's stability, immediately remove the accessory(ies). Do not ride a motorcycle that exhibits unsafe handling traits.

Have experienced service personnel correct any problem before riding with the accessory(ies) installed. For further questions concerning handling problems associated with an accessory(ies), contact your dealer, motorcycle manufacturer, or accessory manufacturer.



National Cycle 3-Year Limited Warranty

Register your windshield online at: www.nationalcycle.com/register.html

or contact Customer Service at National Cycle, Inc., PO Box 158, Maywood, IL 60153, USA 708-343-0400

National Cycle hereby warrants to the original registered owner of a National Cycle polycarbonate windshield for a period of three years from the date of purchase against breakage. This limited warranty is expressly limited to the replacement of the polycarbonate windscreen. This limited warranty does not include scratches, coating failure, cosmetic wear and tear, replacement of hardware, or any consequential damages or expenses including labor cost of installation, removal and/or replacement, inconvenience, inbound freight expenses or damage to any other component of the motorcycle or any other accessories. Certain chemicals, generally known as acidic hydrocarbons, are known to cause polycarbonate damage and will not be covered under this limited warranty. Please refer to the cleaning instructions supplied with all National Cycle windshields.

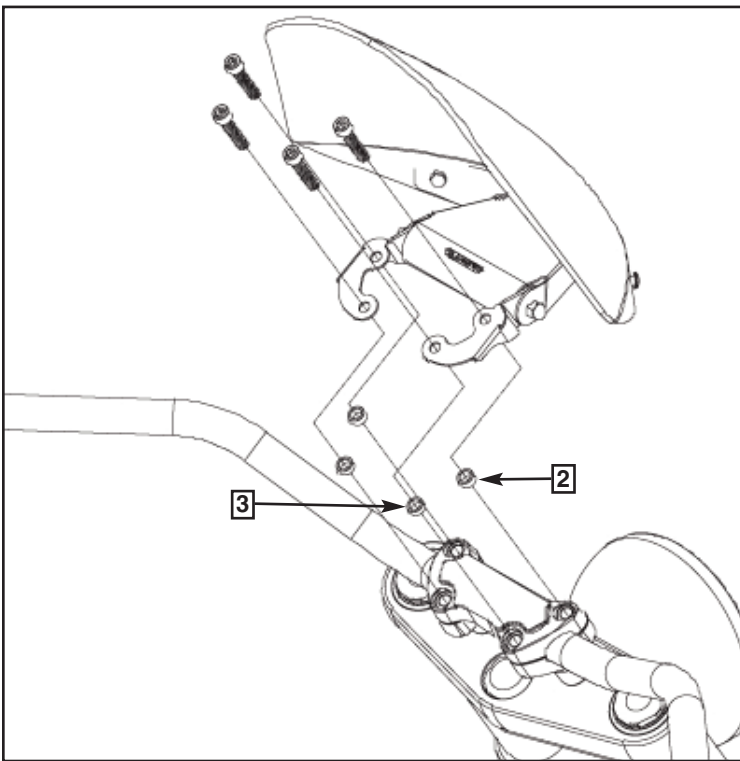


Figure 1

INSTALLATION



To keep the handlebars in adjustment during installation, remove the bolts from one side of the top clamp at a time. On the opposite side, loosen Cap Nut and pivot Gladiator Bracket forward for access to stock bolts.

(7/16" Box Wrench) Figure 2

1. Remove the stock bolts that hold the top clamp from one side. **(1/4" Allen Wrench) Figure 2**
2. Refer to Figure 1 and place appropriate length bushing in each hole. **Figure 1 and Parts List**
3. Install the Gladiator Clamp with stock bolts. **(1/4" Allen Wrench) Figure 1**
4. Repeat on opposite side.
5. Tighten the four Stock Bolts holding top clamp securely (17 ft-lb or 23 Nm). **(1/4" Allen Wrench) Figure 3**
6. Adjust shield to desired position. Tighten Cap Nuts securely (72 in-lbs or 8 Nm). **(7/16" Box Wrench) Figures 4 and 5**

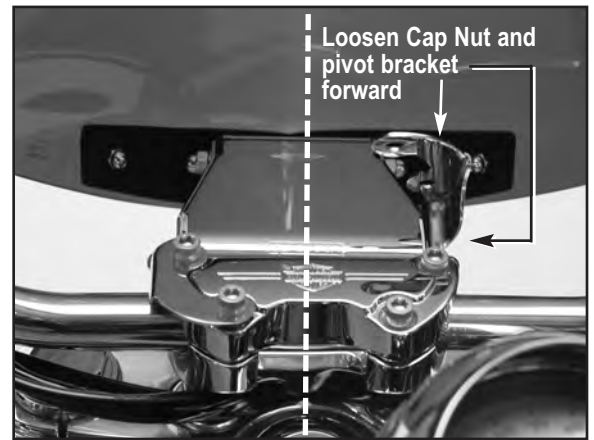
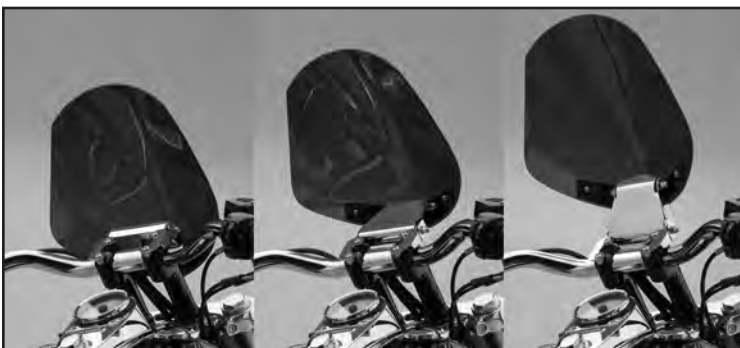


Figure 2



Figure 3



Figure 4

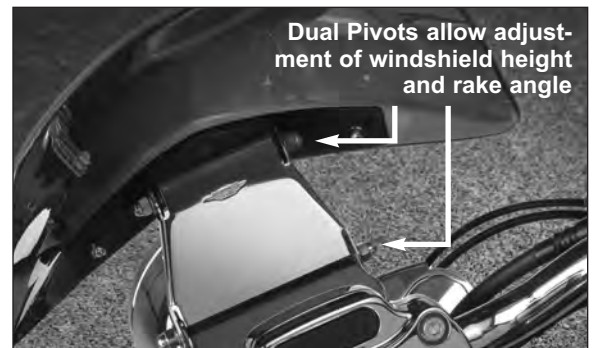


Figure 5