

Description:	Mohawk™	Model:	Various Motorcycles, Side Headlight Bolt Mount
Part Number:	Chrome Headlight Mount: N2844-001 Black Headlight Mount: N2844-002	Installation Time:	30 min.

Thank you for purchasing a National Cycle product. Read these instructions carefully and thoroughly before beginning work. Dealers, if installing this windshield for a customer, please give them this manual. It contains information needed to properly maintain and use this product.



Attention:

Special notes and cautionary measures which can prevent damage to the accessory or vehicle.



Note:

Tips for facilitation of operation, control and adjustment, as well as maintenance work.

CLEANING AND MAINTENANCE To clean the screen, wash with a clean soft cloth, plenty of warm water and if necessary, a non-abrasive soap such as dishwashing liquid. Flannel or soft chamois make good cleaning cloths. **Paint, glue residue or grease removal:** Moisten cotton with naphtha or turpentine followed by a wash as above.

National Cycle **Shield Wash™** (N1401-01) makes a good daily cleaner and comes with a handy travel size bottle. Shield Wash is safe for all windshields and helmet visors.

Do not clean polycarbonate in hot sun or high temperatures. Do not clean the screen with glass cleaners. Do not allow brake fluid, alcohol, or strong solvents to contact the screen.

RAIN REPELLENT Do not use rain protective products made for glass. We recommend National Cycle's **RainZip®** (N1410-01) to help shed water in rainy weather.

! WARNING

Never ride your motorcycle with loose accessory mounting hardware. Check the hardware for tightness regularly.

Today's motorcycles are built with enough frame rigidity to withstand the moderate loads imposed on them by the foreseeable addition of an accessory(ies). If an accessory(ies) adversely affects your motorcycle's stability, immediately remove the accessory(ies). Do not ride a motorcycle that exhibits unsafe handling traits.

Have experienced service personnel correct any problem before riding with the accessory(ies) installed. For further questions concerning handling problems associated with an accessory(ies), contact your dealer, motorcycle manufacturer, or accessory manufacturer.

Sunlight reflected off the inside curvature of the windscreen can, at certain times of day, cause extreme heat buildup on the motorcycles instruments and possibly even melt them. Exercise care in parking to avoid this. Park your motorcycle facing the sun or place an opaque object over this area.



National Cycle 3-Year Limited Warranty

Register your windshield online at: www.nationalcycle.com/register.html

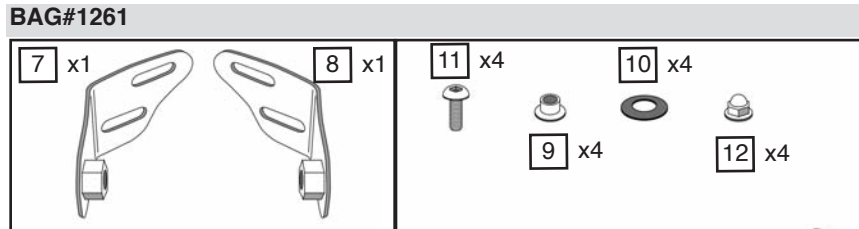
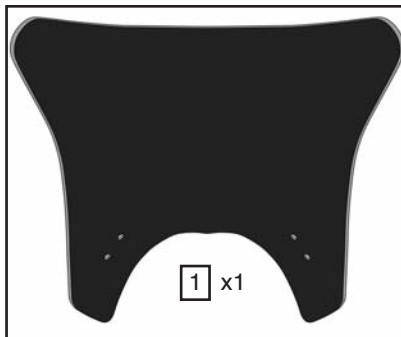
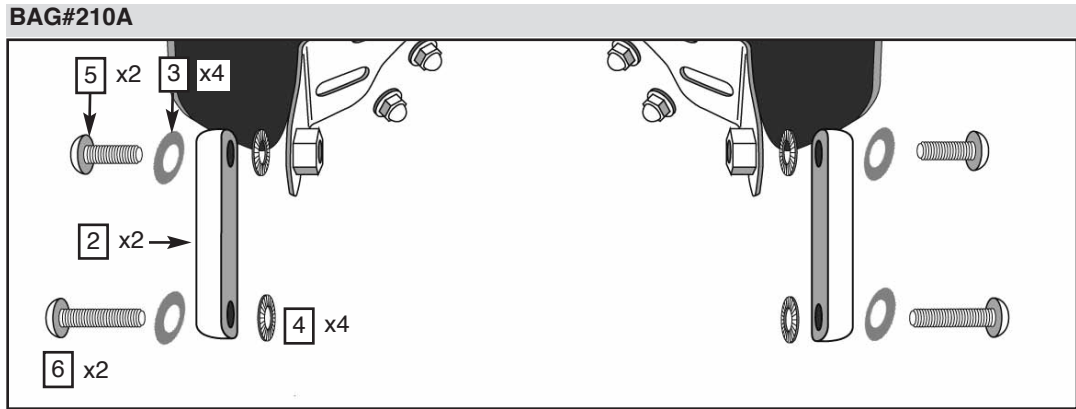
National Cycle hereby warrants to the original registered owner of a National Cycle polycarbonate windshield for a period of three years from the date of purchase against breakage. This limited warranty is expressly limited to the replacement of the polycarbonate windscreen. This limited warranty does not include scratches, coating failure, cosmetic wear and tear, replacement of hardware, or any consequential damages or expenses including labor cost of installation, removal and/or replacement, inconvenience, inbound freight expenses or damage to any other component of the motorcycle or any other accessories. Certain chemicals, generally known as acidic hydrocarbons, are known to cause polycarbonate damage and will not be covered under this limited warranty. Please refer to the cleaning instructions supplied with all National Cycle windshields.

Thank you for your purchase of a National Cycle Windshield. For further information please visit www.NationalCycle.com or call or write National Cycle, Inc.

PO Box 158 / Maywood, IL 60153 U.S.A. / 708-343-0400

Parts List For Kit-FI-003 included with N2844-001 and Kit-FI-004 included with N2844-002

Item	Part No.	Description	Qty.	Notes and Tools
1		Screen, Dark Tint Hardcoated Polycarbonate	1	Contained in N2844-001 and N2844-002
BAG#210A, KIT-FI-003, CHROME				
2	37-370521-000	Bracket, Flat, Chrome	2	
BAG#1236, KIT-FI-004, BLACK				
2	37-370522-000	Bracket, Flat, Black	2	
BAG#210A and BAG#1236				
3	49-490311-000	Washer, Flat	4	
4	49-492550-000	Washer, Serrated	4	
5	51-516420-000	Screw, M8 x 20	2	
6	51-516441-000	Screw, M8 x 40	2	
BAG#1261, KIT-FI-003, CHROME and KIT-FI-004, BLACK				
7	37-371108-000	Slotted Bracket, Left, Black	1	
8	37-371109-000	Slotted Bracket, Right, Black	1	
9	49-495597-000	Collar, Stainless	4	
10	75-762012-000	Washer, Black	4	
11	51-518217-000	M6-1.0x 16 Stainless	4	4mm Hex Wrench
12	42-483005-000	Nut, Cap, Black	4	10mm Socket with Driver



WINDSHIELD INSTALLATION

Install Bracket Left (7) and Right (8) to Inside Surface of Screen

1. Install 1, Washer (10) over each hole on the inside surface of the Screen. **Figure 1**
2. Select the Left Bracket (7) and install to the Left, inside surface of the windscreen using 2, Collars (9), 2, Screws (11) and 2, Cap Nuts (12). **(4mm Hex Wrench and 10mm Socket) Figure 1.**

3. Repeat on Right Side.

4. Hold windshield assembly in place to motorcycle headlight mount points. Adjust the width of the windshield Mount Brackets (7 and 8) to match width of headlight mount points by loosening the Cap Nuts (12) and sliding the Mount Bracket as necessary. **(4mm Hex Wrench and 10mm Socket) Figure 2**

Assemble Offset Brackets to Windshield

5. Install the Left Offset Bracket (2) to the Inner Bracket (7) with 1, Serrated Washer (4), 1, Flat Washer (3) and Screw (5). **(5mm Hex Wrench) Figure 2**

6. Repeat on Right side.

Install Windshield to Motorcycle

7. Refer to the Motorcycle Owner's Manual to remove the headlight lens. Remove the headlight bracket mount bolts. Store bolts. They will not be reused.

8. Install Windshield assembly to headlight mount points using the Serrated Washers (4), Flat Washers (3) and M8 x 40 Screw (6). **(5mm Hex Wrench) Figure 2**

Final Adjustments and Tightening

9. Adjust the Windshield to the desired position and securely tighten the 4 Screws (5 and 6). **(5mm Hex Wrench) Figure 2**

10. Securely tighten the 4 Screws (11) and Cap Nuts (12) in the Windshield Brackets **(4mm Hex Wrench and 10mm Socket) Figure 1**

Enjoy Your New Mohawk Windshield!

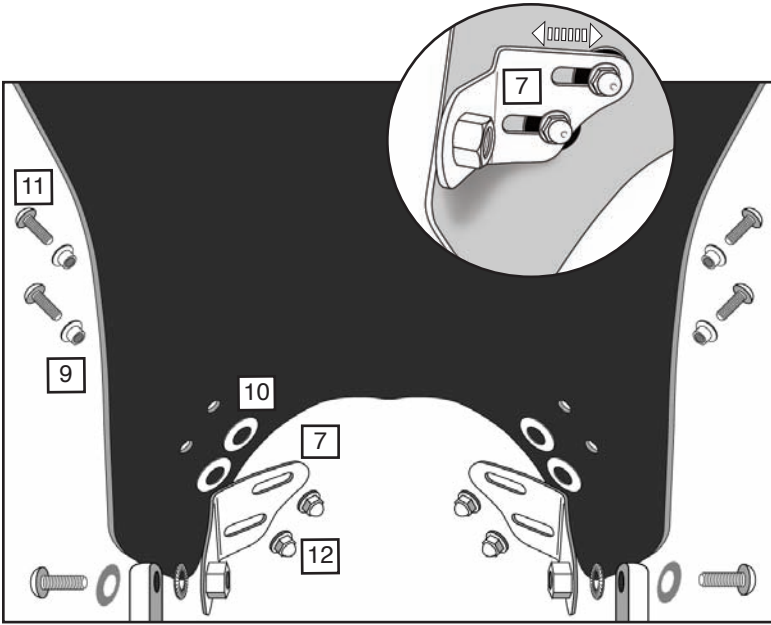


Figure 1

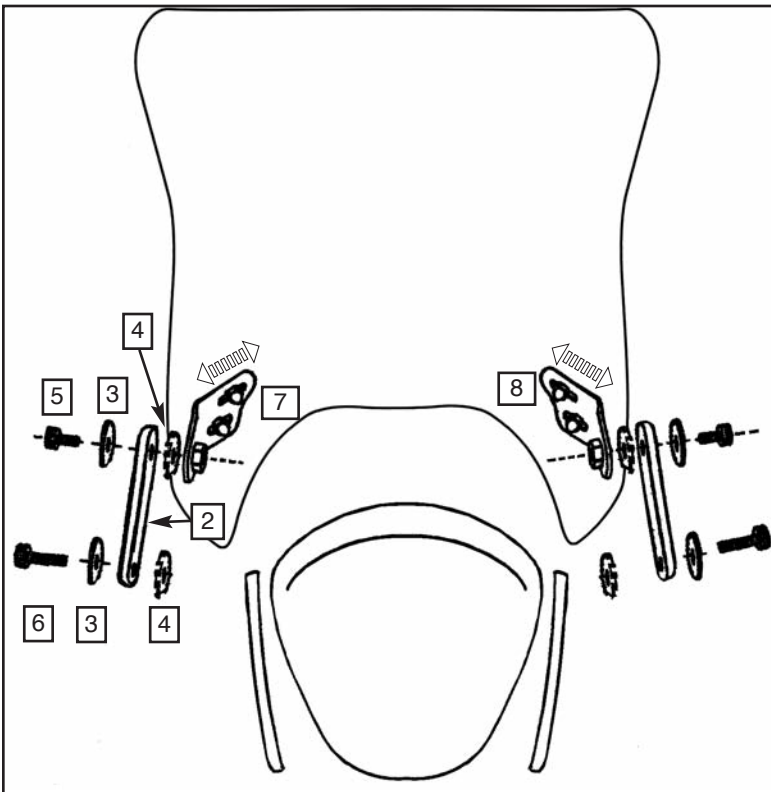


Figure 2