

PARTS LIST

<u>Index</u>	<u>Description</u>	<u>Part No.</u>	<u>Qty.</u>
1	Shield, Hand Deflector	20-231006-000	2
2	Plate, Outside	37-370900-000	2
3	Nut, /-20 Acorn	42-480000-000	4
4	Screw, /-20 x fi, Nylon	50-530505-000	4
5	Bracket, Left	37-370915-000	1
6	Bracket, Right	37-370916-000	1
7	Washer, 3/8" Int. Lock	49-492310-000	2

NOTE: Left and right side of motorcycle are determined from rider's perspective while sitting on motorcycle.

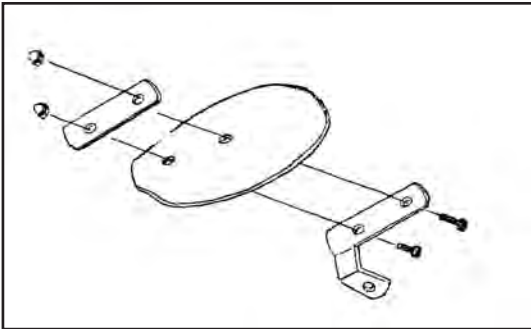
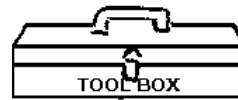


Figure 1



Wrench, 1/2"
Wrench, 7/16"
Screwdriver, 3/8" Flat

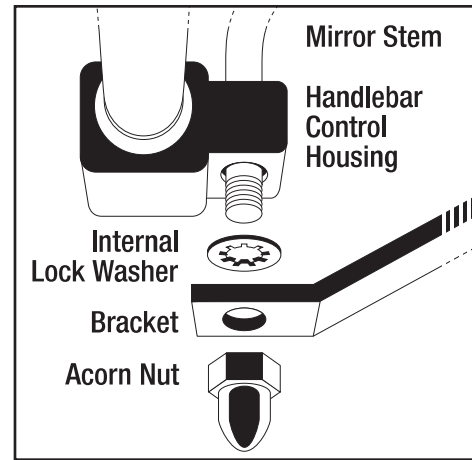


Figure 3

RIGHT SIDE OF MOTORCYCLE


Figure 2

LEFT SIDE OF MOTORCYCLE


Figure 4

PREPARATION

Assemble the Hand Deflector plastic to the Right and Left brackets as shown in **Figure 1**. Note, screws are inserted through the bracket from the **INSIDE** of the plastic. Place the outside plate (2) over the screws (4) and add the nuts (3). Tighten until snug, do not over tighten. **(7/16" Wrench and Screwdriver)**

INSTALLATION

1. From the underside of the right grip, remove the right mirror nut. **(Wrench, 1/2")**
2. Install the right hand deflector assembly with lock washer and stock nut. Tighten the mirror nut to 1.8 m-kg (13 ft lbs.) torque. **(Wrench, 1/2") Figure 2 and 3**
3. Repeat for left side. Figure 3 and 4



Check clearance of Hand Deflector to gas tank by turning handlebar to a full lock left and right. If necessary adjustment Hand Deflector by rotating bracket (5) or (6) until plastic does not contact gas tank.

MAINTENANCE To clean the plastic, wash with a clean soft cloth, plenty of warm water and, if necessary, a non-abrasive soap such as dish washing liquid. Flannel or soft chamois make good cleaning cloths. Paint, glue residue or grease removal: Moisten cotton with Naphtha or Turpentine followed by a wash as above.